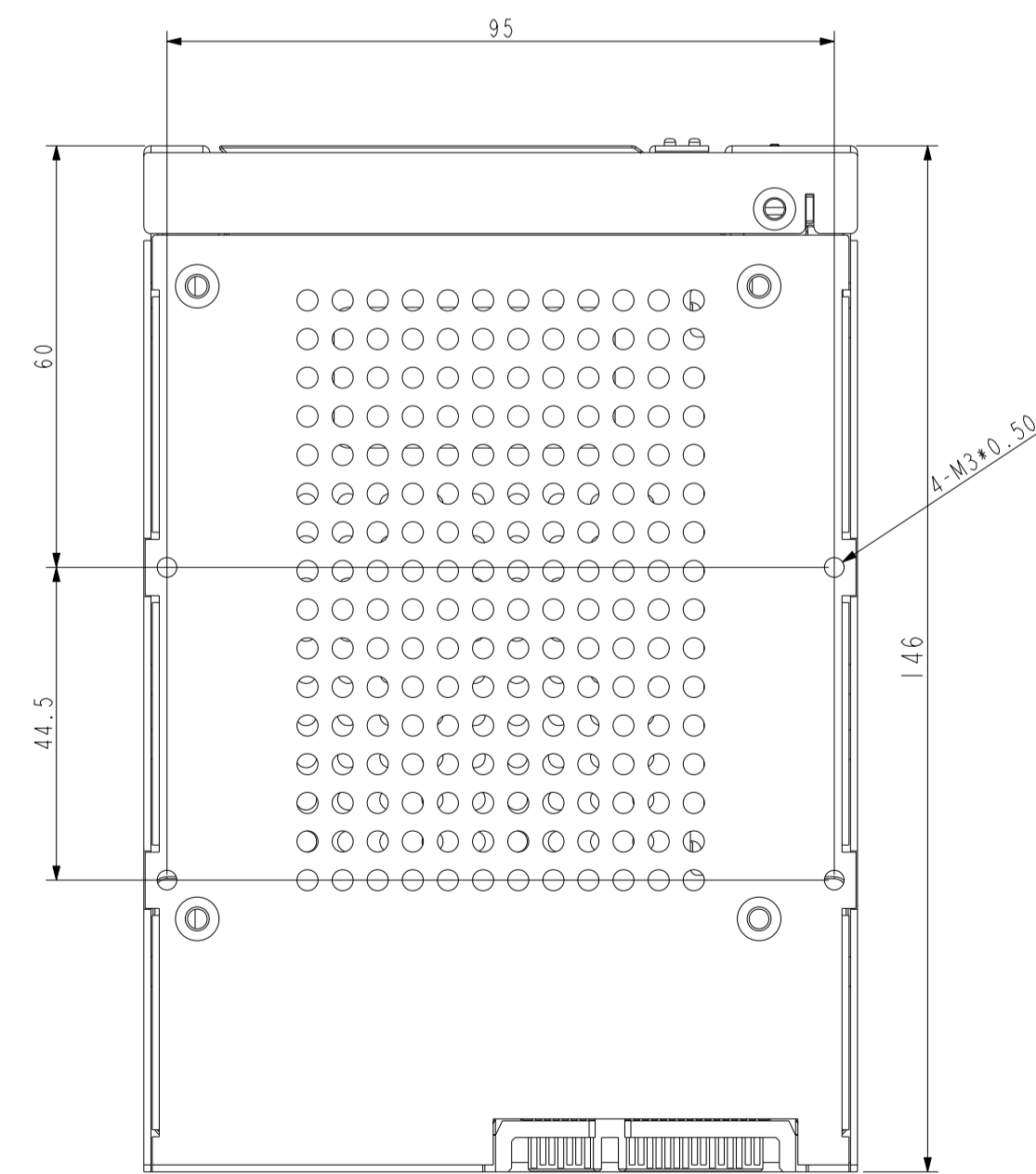
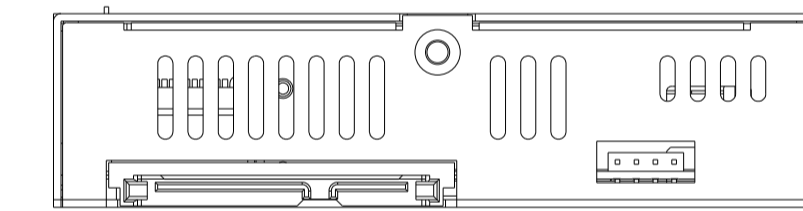
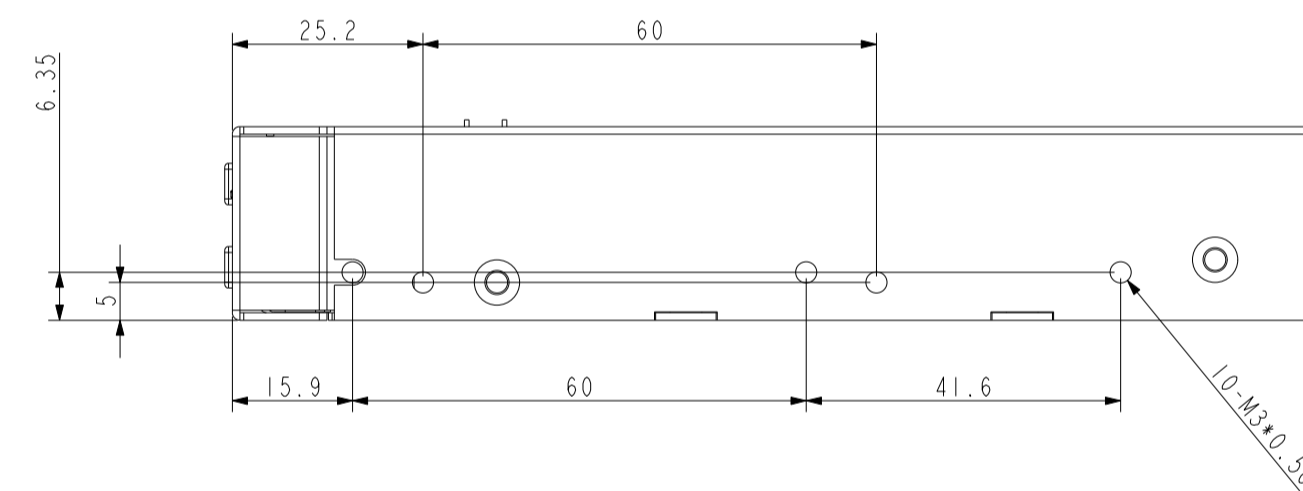
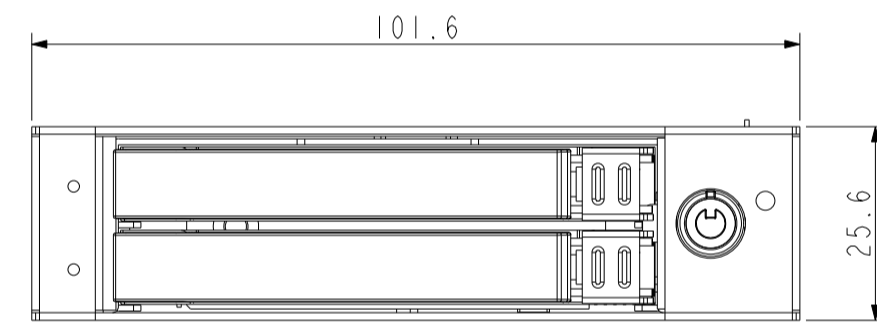
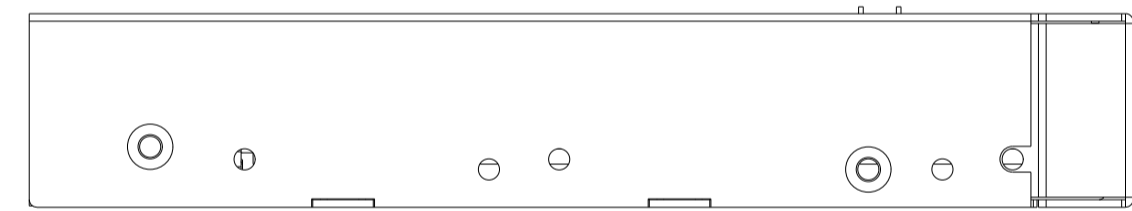
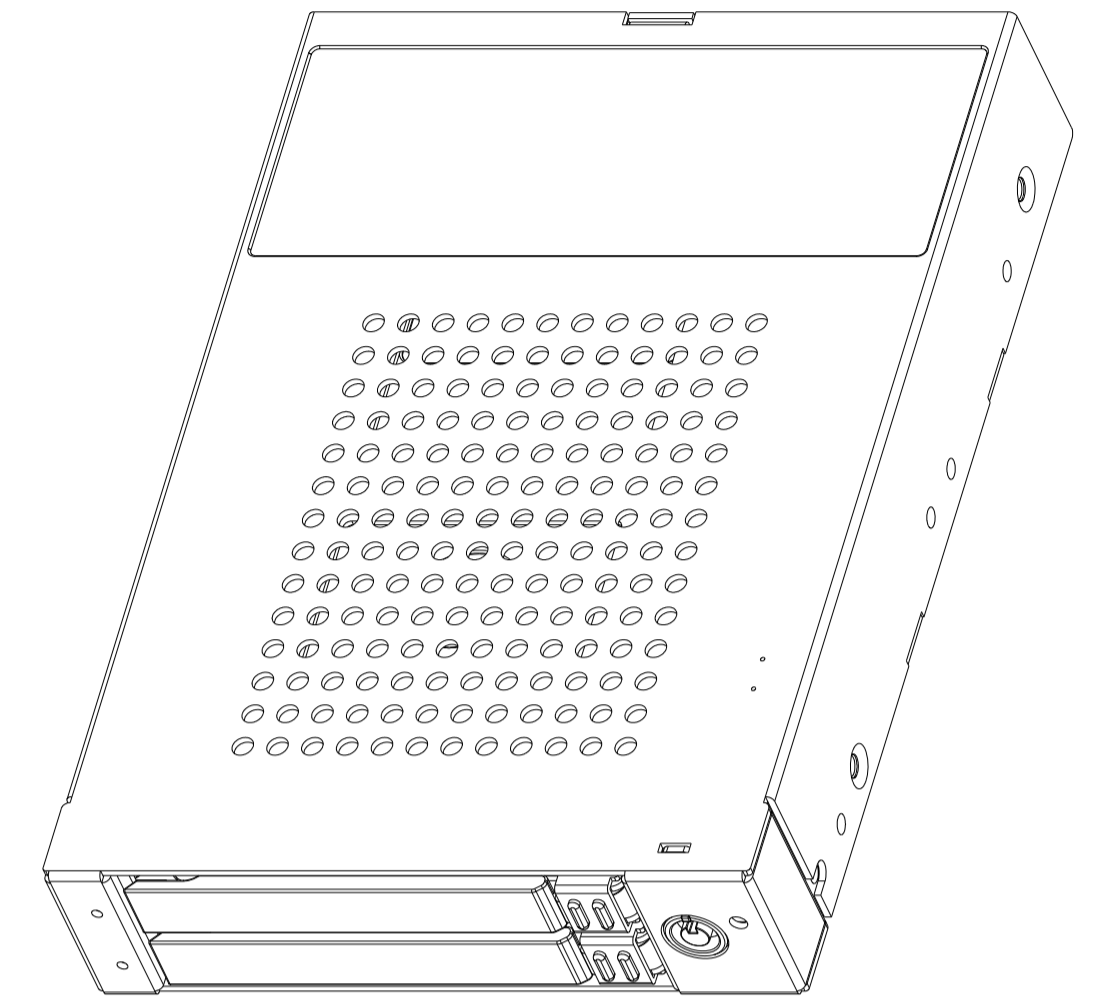


Revision History					DESIGNER	APPROVE	REMARK
REV	EC No.	DATE(yy/mm/dd)	UPDATE DESCRIPTION		Calvin		
			As Shown				



THIS DRAWING AND SPECIFICATIONS, HEREIN, ARE THE PROPERTY OF RAIDON INTERNATIONAL AND SHALL NOT BE REPRODUCED, COPIED, OR USED IN WHOLE OR IN PART AS THE BASIS FOR THE MANUFACTURE OR SALE OF ITEMS WITHOUT WRITTEN PERMISSION, RAIDON INTERNATIONAL.

MATERIAL (SPEC)				SCALE		RAIDON <b>CONFIDENTIAL</b>			
ASSY				1:1(1.1)					
FINISH				ANGLE		DESCRIPTION			
				0°-30° ±1°		UNIT			
				31°-60° ±3°		mm			
				61°-90° ±5°		IR2771-S3 機構示意图			
SELECT V	A	B	C	D	SHEET	MODEL NO.	PART NO.	REV	VER
0-5	±0.02	±0.05	±0.1	±0.2	1 of 1	IR2771-S3	-	1.0	
6-10	±0.05	±0.1	±0.15	±0.3					
11-50	±0.1	±0.15	±0.20	±0.5					
50-100	±0.15	±0.2	±0.25	±1					
101+	±0.15%	±0.2%	±0.25%	±1.0%					
SHEET SIZE						DESIGNER		APPROVED	
A1						Calvin			